

## ABD16/CCT

16W IP65 IK10 CCT Selectable LED Bulkhead

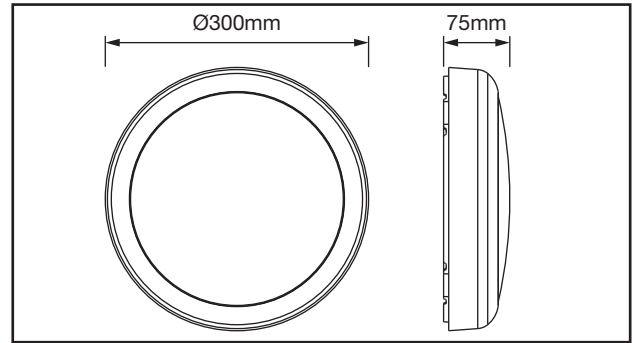
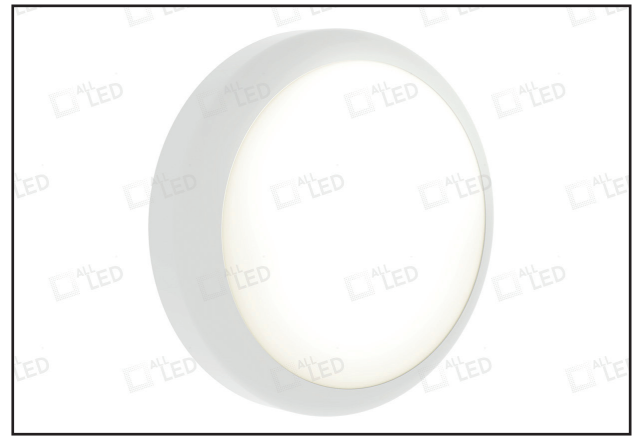


### PRODUCT FEATURES

- Suitable for Coastal Installs
- Four Side Conduit Entries For Easy Install
- IK10 Rating - Vandal Resistant Design
- Shatterproof Polycarbonate Body
- Captive Screws Included
- Suitable For Wall & Ceiling Mounting
- Besa Box Mounting
- IP65 Rating
- CCT Selectable (3000K/4000K/6000K)
- White Ring Bezel Included As Standard
- Available Accessories: Satin Silver, Polar White, Carbon Black, Rose Gold & Gold Bezel Ring, Cross Grill & Eyelid Bezels\*
- 5 Year Guarantee

**Scan For Instructions**

ABD16/CCT	ABD16/CCT/EM
ABD16/CCT/COR	ABD16/CCT/COR/EM
ABD16/CCT/MS	ABD16/CCT/MS/EM



### TECHNICAL SPECIFICATIONS

Bulkhead Specifications			
Luminous Flux (LM)	2130	2320	2270
Useful Luminous Flux (LM)	2130	2320	2270
CCT (Kelvin)	3000K	4000K	6000K
Peak Intensity	673	742	726
CRI		>80	
Beam Angle (°)		115°	
Operating Voltage (Vac)		220-240Vac	
Operating Current (A max)		0.092A	
Max Output Power		16W	
Power Factor (P <sub>f</sub> )		0.79	
No Load Power (W)		≤0.5W	
Efficiency %		94%	
Driver Max Output Current (mA)		180mA	
Driver Max Output Voltage (Vdc)		89Vdc	
Class		II	
Body Material		Polycarbonate	
Frame Colour		White	
Switching Cycles		50,000	
Ingress Protection		IP65	
Ambient Operating Temperature (°C)		-20°C~45°C	
Input Frequency (Hz)		50/60Hz	
Guarantee		5 Years	
Lifetime (L70 B50)		50,000H	
IK Rating		IK10	
Displacement Factor		≥0.7	
Flicker Metric (PstLM)		≤1.0	
Stroboscopic Effect Metric (SVM)		≤0.4	
Energy Rating		E	

Corridor Sensor	
Detection Range	50%, 100% (4-10M)
Hold Time	5s, 90s, 3min, 10min
Daylight Sensor	10Lux or Disable

Microwave Sensor	
Detection Range	10%, 25%, 50%, 75%, 100% (2-12M)
Hold Time	5s, 30s, 90s, 3min, 20min, 30min
Daylight Sensor	2Lux, 10Lux, 25Lux, 60Lux or Disable

Emergency Specifications	
Emergency Power	1.2W
Emergency Duration	3 Hours
Emergency Light Output	150lm
Battery Type	LiFePO4
Battery Voltage (DCV)	3.2Vdc
Battery Current (mAh)	1500mAh
Charging Current (A)	0.3A
Charging Voltage (DCV)	3.65Vdc

**Standard**  
ABD16/CCT

**Emergency Version**  
ABD16/CCT/EM

**Emergency + Corridor Version**  
ABD16/CCT/COR/EM

**Corridor Sensor**  
ABD16/CCT/COR

**Microwave Version**  
ABD16/CCT/MS

**Microwave + Emergency Version**  
ABD16/CCT/MS/EM



\*Sold Separately