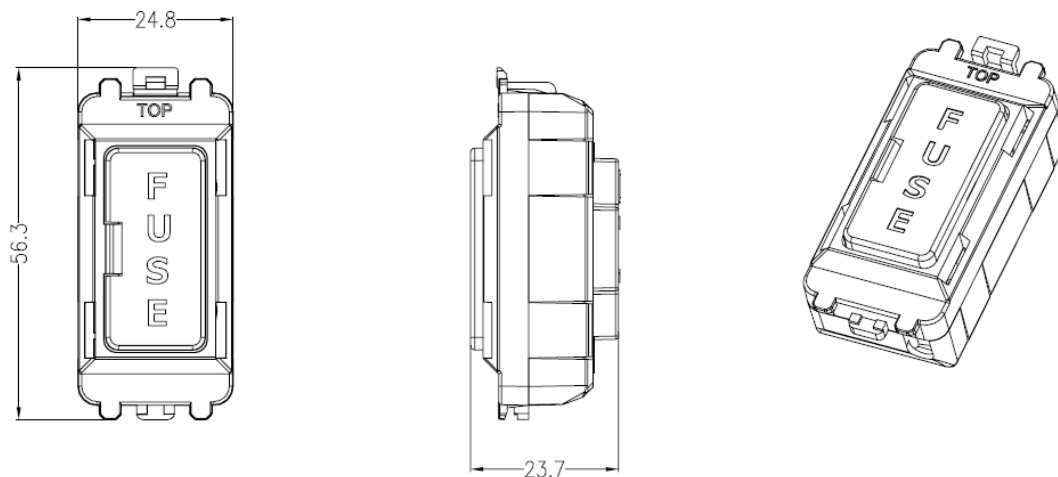


# DATA SHEET:

## GDM011 Series

### 13A Fused Module



MLA part code	GDM006BC	GDM006MW	GDM006PC	GDM006U
Description	13A fused module			
Finish	Brushed chrome	Matt white	Polished chrome	White
Nett weight (kg)	0.021			
Maximum load	20A			
Dimensions (mm)	Height – 56.3 Width – 24.8 Projection – 23.7			
Terminal capacity	3 x 2.5mm <sup>2</sup>			
Input voltage	Mains 230V 50Hz			
Construction	Steel / ABS			
Minimum mounting depth (mm)	35			
IP rating	IP20			
Warranty	15 Years			
Origin of Manufacture	China			
Declaration of Conformity (held on file)	Yes			
Manufactured in accordance with	BS EN 60669-1			
EAN	5055832963837	5055832963844	5055832963851	5055832963868

