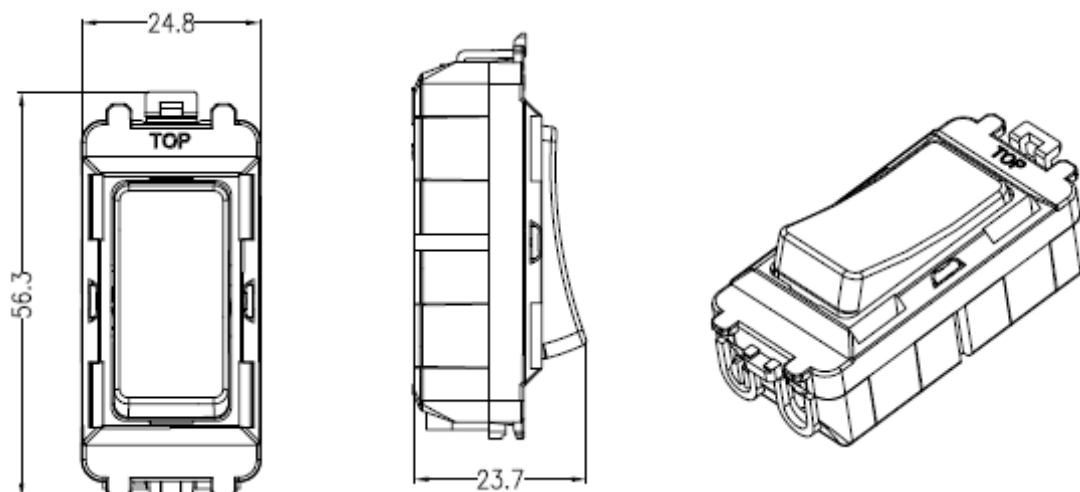


20AX 2 way retractive SP module (marked "PRESS")



| MLA part code | GDM006BC | GDM006MW | GDM006PC | GDM006U |
|--|--|---------------|-----------------|---------------|
| Description | 20AX 2 way retractive SP module (marked "PRESS") | | | |
| Finish | Brushed chrome | Matt white | Polished chrome | White |
| Nett weight (kg) | 0.022 | | | |
| Maximum load | 20A | | | |
| Dimensions (mm) | Height – 56.3 Width – 24.8 Projection – 23.7 | | | |
| Terminal capacity | 3 x 2.5mm ² | | | |
| Input voltage | Mains 230V 50Hz | | | |
| Construction | Steel / ABS | | | |
| Minimum mounting depth (mm) | 35 | | | |
| IP rating | IP20 | | | |
| Warranty | 15 Years | | | |
| Origin of Manufacture | China | | | |
| Declaration of Conformity (held on file) | Yes | | | |
| Manufactured in accordance with | BS EN 60669-1 | | | |
| EAN | 5055832963639 | 5055832963646 | 5055832963653 | 5055832963653 |

