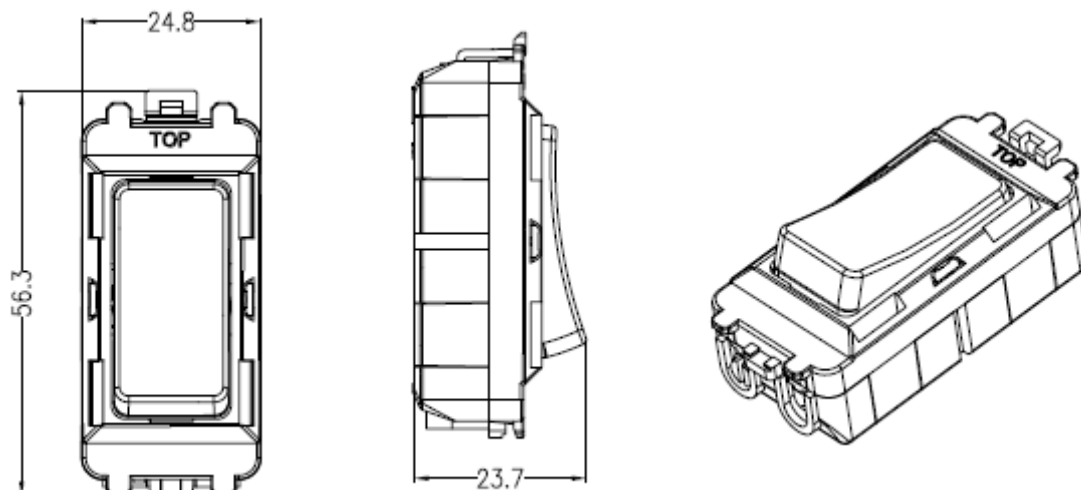


## 20AX DP Switch Module



MLA part code	GDM002BC	GDM002MW	GDM002PC	GDM002U
Description	20AX Double Pole grid module			
Finish	Brushed chrome	Matt white	Polished chrome	White
Nett weight (kg)	0.024			
Maximum load	20A			
Dimensions (mm)	Height – 56.3 Width – 24.8 Projection – 23.7			
Terminal capacity	3 x 2.5mm <sup>2</sup>			
Input voltage	Mains 230V 50Hz			
Construction	Steel / ABS			
Minimum mounting depth (mm)	35			
IP rating	IP20			
Warranty	15 Years			
Origin of Manufacture	China			
Declaration of Conformity (held on file)	Yes			
Manufactured in accordance with	BS EN 60669-1			
EAN	5055832963479	5055832963486	5055832963493	5055832963509

