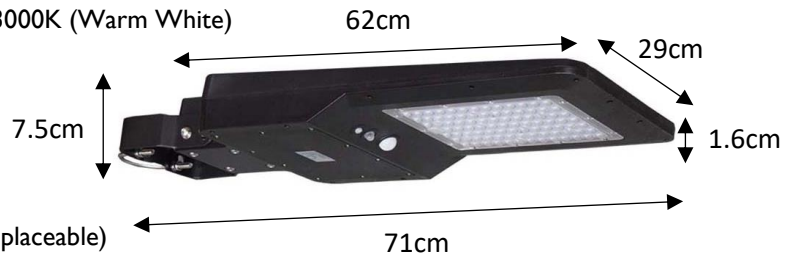


THANK YOU FOR YOUR PURCHASE
PLEASE READ THESE INSTRUCTIONS CAREFULLY PRIOR TO INSTALLATION / MAINTENANCE

SPECIFICATIONS

Wattage: 40w
Lamp: In-built Everlight LED x 90 (SMD 2835S)
Colour Temperature: 6000K (Daylight White) / 3000K (Warm White)
Lumen Output: 4800 lm
Beam Angle: 140 x 70 degrees
LED Life Expectancy: up to 50,000 hours
Sensor: PIR (Motion Sensor) + Light Sensor
PIR Detection: Up to 12m / 120 deg. beam angle
PIR Sensor Delay Time: up to 20 seconds
Battery Type: LiFePO4 32700 9.6v 12000mAh (Replaceable)
Battery Lifespan: 8 years+ (2000+ 1-2 week cycles)
Battery Charge Time: 8 hours full sunshine (full capacity)
Max Illumination Time at Full Charge: up to 6 nights
Solar Panel: 21W 13.5v Mono-crystalline Silicon (20yrs+ lifespan)
IP Rating: IP65
Materials: Aluminium, ABS, Tempered Glass
Weight: 5.1Kg (approx.)
Mounting: 60mm Lamp Post / Wall Bracket / 50mm Horizontal Pole Clamp
Install Height: 3-6m recommended
Functions: Constant On OR PIR mode (Remote Control)
Remote Control Range: < 12m
Working Temperature: -20C – 60C
Included: Solar Light, Standard Bracket, 2 x U Brackets, Remote Control, Allen Key



⚠ WARNINGS ⚠

- If a fitting is found to be damaged, cease use immediately.
- The unit may get warm whilst on for a period of time.
- Always take care when installing your solar light, especially when mounting it in high places (2 person install).
- Ensure the fitting is mounted out of range of head height to avoid injury.
- Fitting must be mounted to a solid surface / lamp post.
- This Solar Light will not charge correctly if the panel is behind glass or artificial light is used.
- For replacement battery, contact the manufacturer.

CLEANING & MAINTENANCE:

Occasional cleaning and care are recommended for this product. Wipe with a soft, slightly damp cloth to remove any surface dirt. To maintain efficiency, specifically clean the solar panel, LEDs and PIR on a regular basis. Also, keep the solar panel free of debris and snow to prevent reduced battery life or malfunction. Do not use abrasive cleaners or a lot of water as this could damage the fitting. Please refer to our website for more information on the best way to clean different materials.

DISPOSAL: Waste Electrical Products & Batteries should not be disposed of with household waste. Please check with your local authority or contact us for more information. Please recycle packaging whenever possible.

Producer Registration Numbers: WEE/KC3440XY / BPRN0843

RETURNS:

If purchased from a 3rd party, please contact your supplier. If purchased direct, contact us by phone or email:
 Lumena Lights Ltd, Centre 33 Long March, Daventry, NN11 4NR Tel: +44 1327 871161 Email: sales@lumenalights.com
Our full returns policy is available on our website.

INSTALLATION:

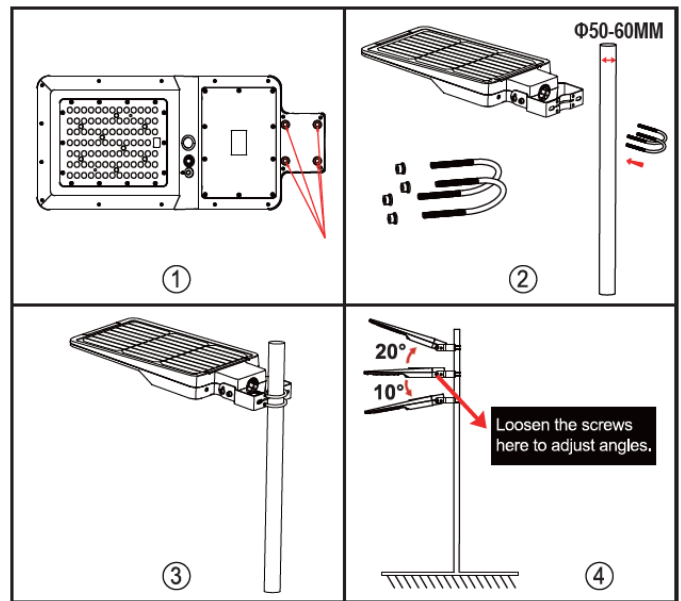
Location - It is important that the installation location is carefully considered, avoiding shady areas. The best solar panel position is south facing, however the light can work facing in other directions when in full sunshine. The PIR must face the direction in which the motion is to be detected. Ensure there is no other lights which could interfere with the Sensors, imitating daylight.

To be mounted on a wall or lamp post at a height of **3-6m**.

LAMP POST – Straight Pole (50-60mm diameter)

TURN ON THE LAMP PRIOR TO INSTALLATION (see modes & settings)

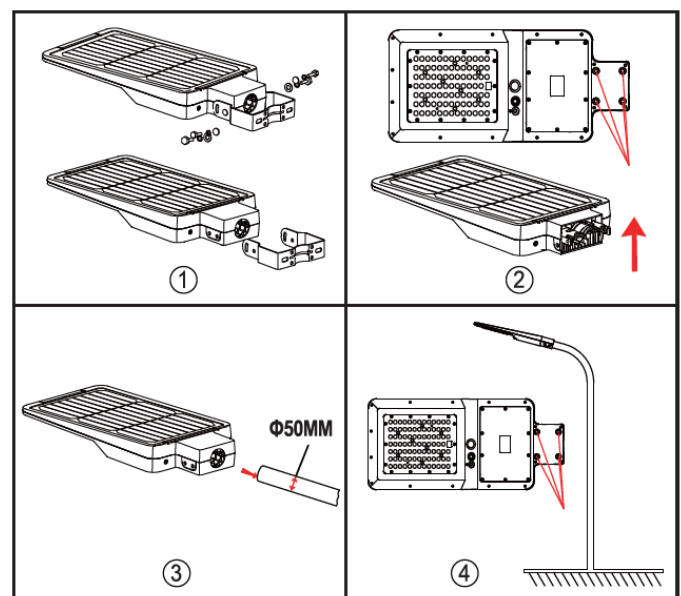
1. Ensure the 4 x bottom socket screws on the fitting are tightened with the allen key provided.
2. Hook a U-Brackets around the back of the lamp post at the desired height and insert them into one set of centre holes of the lamp bracket from behind.
3. Fasten the 2 x washers, lock washers and nuts onto the front of the U-Bracket at the inner side of the lamp bracket to secure the lamp in position. Repeat steps 2 and 3 with second U-Bracket.
4. Optional Tilt – loosen the 2 x screws on both sides of the lamp to adjust the lamp angle. Adjust up to 20 degrees upwards and 10 degrees downwards. Retighten screws when positioned at desired angle.



LAMP POST – Angled Pole (50mm diameter)

TURN ON THE LAMP PRIOR TO INSTALLATION (see modes & settings)

1. Remove the standard bracket via the 4 x socket screws / washer / lock washer with the allen key.
2. Loosen the 4 x bottom socket screws to adjust the inner pole entry bracket to match the pole. Note: push the inner adjustable bracket upwards so the inner edge clears the 50mm hole and to pull the loosened screws back to the fitting. Do not completely remove screws.
3. Insert the pole into the pole entry of the lamp to full depth.
4. Ensure the lamp is in the correct position and retighten the four screws loosened in step 2 to lock the lamp into place on the angled pole.

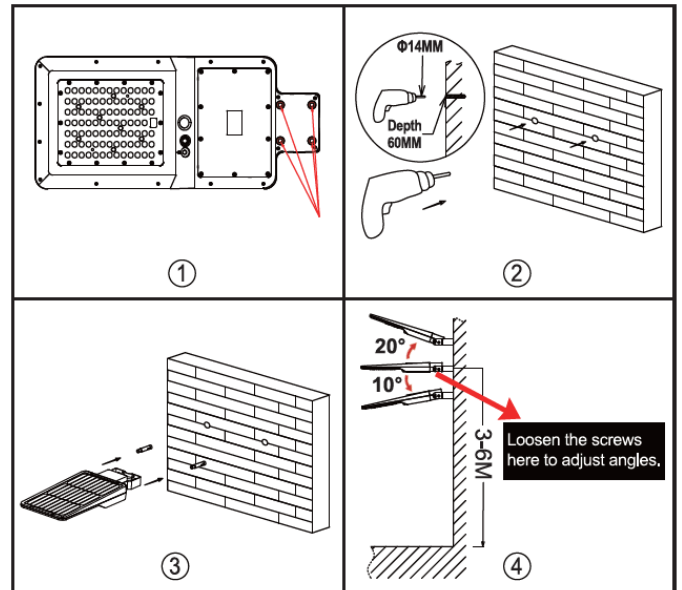


INSTALLATION (continued):

WALL MOUNTING

Required: 2 x M10 * 60mm Expansion Screws

1. Ensure the 4 x bottom screws on the fitting are tightened with the allen key provided.
2. Drill the 2 x 14mm holes at a depth of 60mm (104mm centre to centre).
3. Insert expansion screws into the wall and fasten to the fitting securely.
4. Optional Tilt – loosen the 2 x screws on both sides of the lamp to adjust the lamp angle. Adjust up to 20 degrees upwards and 10 degrees downwards. Re-tighten screws when positioned at desired angle.



IMPORTANT: Standard bracket must be mounted the correct way up to enable 20 degree tilt upwards and 10 degree tilt downwards. Side, pre-drilled holes are located slightly closer to the lower edge of the bracket. If bracket is ever removed fully, ensure it is re-attached as per the above explanation.

HIWAY MAX TECHNOLOGY:

The Hiway MAX is a highly efficient solar light with high capacity LiFePO₄ batteries and a fast charging Monocrystalline solar panel. This means that even on cloudy and rainy days, it will re-charge efficiently. The high battery capacity gives enough power for up to 6 nights. The 4800 lumen light output is impressively bright, powerful enough to illuminate car parks, driveways and paths, making them safe to navigate at night.

In particularly long periods of dull weather, illumination time is likely to be affected. To boost charge, turn the light off for 1-2 nights which will result in the light charging but not illuminating. Then turn the light back on as normal. It is recommended that Mode B (Motion Sensor Mode) is used at times when weather is poor to help retain charge.

See overleaf for Modes & Settings

MODES / SETTINGS:

The Hiway MAX is an auto-adjust, multifunction solar light. All modes will only function during darkness. When switched on during daytime, the LEDs will illuminate initially and then turn off after approximately 4 seconds.

Lamp automatically flashes once after every time the Main Button / Remote Control Buttons are pressed to confirm successful programming.

BUTTON CONTROL

Press the main power button on the lamp to select the relevant working mode

- Press once for On / Mode A – Constant Lighting (from dusk, 4 hours at 60% brightness, then, sensor mode – Pre-set)
- Press a second time for Mode B – PIR Mode (100% full brightness when movement is detected, then, returns to 30% brightness after 20 seconds of no detection)
- Press a third time to turn off (remote control will not work if switched off at main button)



NOTE: Main Button Control settings are factory pre-set. To change time and brightness, the remote control must be used.

Mode A: Constant Lighting Mode



Mode B: Sensor Mode



REMOTE CONTROL

Press the main power button on the lamp once to turn on, then the remote control can be used to amend settings / turn on and off.

Remove tab from battery before use.

MODE A: Constant Lighting Mode (Solar Street Lighting)

Constant 'on' for selected time (2hr, 4hr, 6hr, 8hr, 10hr or 12hr). Adjustable brightness level (60%, 80% or 100%).

- Press "Constant Lighting Mode" Button
- Press selected "Time" Button
- Press selected "Brightness" Button

MODE B: Motion Sensor Mode (Solar Security Lighting)

30% constant light from dusk, increases to selected brightness for approx. 20 seconds when PIR triggered by movement within 12m.

- Press "Sensor Mode" Button
- Press selected "Brightness" Button

Recommended for extremely poor weather conditions

MEMORY FUNCTION

When settings are changed, the last setting become the new default.

With every new lamp cycle, it will continue in the latest default working mode.

If the lamp is turned off via the button, the setting will return to original default when manually turned back on.

